

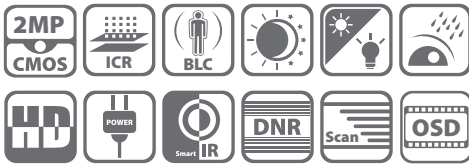
DS-2CE56D1T-IT1/IT3

HD1080P EXIR Turret Camera

TURBO HD



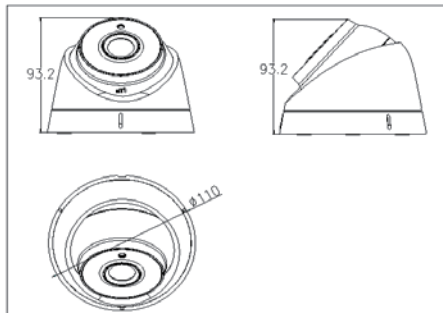
EXIR



Key features

- HD1080P Video Output
- Adopt HDTVl Technology
- True Day/Night, Smart IR
- EXIR technology, 20/40m IR distance
- IP66 weatherproof
- OSD menu controlled via UTC

Dimensions



Accessories



Indoor / outdoor wall mount
DS-127ZJ-110

Video balun
DS-1H18

Available models

- DS-2CE56D1T-IT1
- DS-2CE56D1T-IT3

	DS-2CE56D1T-IT1	DS-2CE56D1T-IT3
Camera		
Image Sensor	2 MP CMOS Image Sensor	
Signal System	PAL / NTSC	
Effective Pixels	1930(H)*1088(V)	
Min. Illumination	0.01 Lux @(F1.2,AGC ON), 0 Lux with IR	
Shutter speed	1/25(1/30) s to 1/50,000 s	
Lens	2.8mm, 3.6mm, 6mm optional	3.6mm (6mm, 8mm, 12mm, 16mm optional)
	Angle of View: 105.8°(2.8mm), 84.3°(3.6mm), 55.4°(6mm)	Angle of View: 84.3°(3.6mm), 55.4°(6mm), 38.7°(8mm), 24.8°(12mm), 19.2°(16mm)
Lens Mount	M12	
Angle Adjustment	Pan: 0 - 360°, Tilt: 0 - 75°, Rotation: 0 - 360°	
Day & Night	ICR	
Synchronization	Internal synchronization	
Video Frame Rate	1080p@25fps/1080p@30fps	
HD Video Output	1 Analog HD output	
S / N Ratio	More than 52dB	
Menu		
AGC	Support	
D/N Mode	Color/ BW/ EXT	
White Balance	Auto/ Manual	
BLC	Support	
Language	English/Chinese	
Function	Digital noise reduction, Mirror	
General		
Working Temperature / Humidity	-40 °C – 60 °C (-40 °F – 140 °F) Humidity 90% or less (non-condensing)	
Power Supply	12 VDC	
Power Consumption	Max. 2.5W	Max. 3.5W
Weather Proof Ratings	IP66	
IR Range	Up to 20m	Up to 40m
Communication	Up the coax Protocol: HIKVISION-C(Coaxitron)	
Dimensions	Φ 110 × 93.2 mm(Φ 4.33" × 3.67")	
Weight	260g (0.57 lb)	