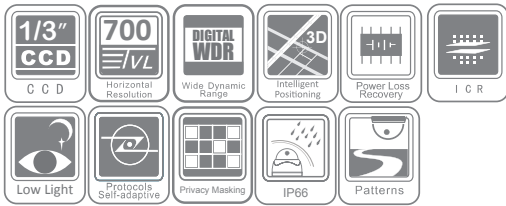


## DS-2AF7268/7264(N)

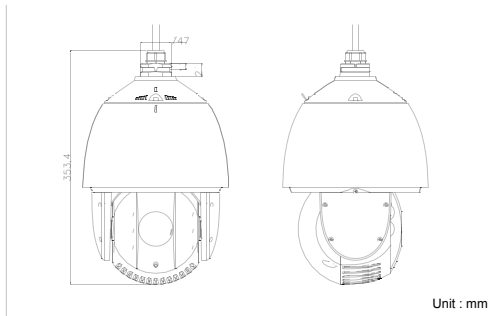
### 700TVL IR PTZ Dome Camera with 100 metre Night-Vision



#### Key features

- 1/4" Sony CCD / 1/3" Sony CCD
- 700TVL horizontal resolution
- 36X / 23X optical zoom, 16X digital zoom
- Smart tracking
- 100m IR distance
- True Day/Night, Digital WDR
- 3D intelligent positioning

#### Dimensions



#### Accessories



	DS-2AF7268(N)	DS-2AF7264(N)
<b>Camera</b>		
Image Sensor	1/4" Interline Transfer CCD	1/3" Sony Exview HAD-II CCD
Effective Pixel	PAL: 976(H)×582(V), NTSC: 976(H)×494(V)	
Horizontal Resolution	Color: 700 TVL, B/W: 750 TVL	
Min. illumination	Color: 0.02Lux/(F1.6, AGC ON), 0.0008Lux/(F1.6, AGC ON, IREx256) B/W: 0.002Lux/(F1.6, AGC ON), 0.00008Lux/(F1.6, AGC ON, IREx256) 0 Lux with IR	
White Balance	Auto / Manual / ATW / Indoor / Outdoor	
AGC	Auto / Manual	
S / N Ratio	≥ 50dB	
Digital Noise Reduction	3D DNR	
BLC	On / Off	
Wide Dynamic Range	128X Digital WDR	
Shutter Speed	PAL: 1/3 ~ 1/10,000s, NTSC: 1/4 ~ 1/10,000s	
Day & Night	IR Cut Filter	
Digital Zoom	16X	
Privacy Mask	Up to 8 zones, maximum 8 zones on a same image, multiple colors and mosaics optional	
Focus Model	Auto / Semiautomatic / Manual	
<b>Lens</b>		
Focal Length	3.3 ~ 119mm, 36X	4 ~ 92mm, 23X
Zoom Speed	Approx. 6.0 s(Optical Wide-Tele)	Approx 4.0s(Optical Wide-Tele)
Angle of View	57.1~1.7 degree(Wide-Tele)	57.58 ~3.12 degree(Wide-Tele)
Min. Working Distance	10 ~ 1500mm (Wide-Tele)	
Aperture Range	F1.4 ~ F4.2	F1.6 ~ F3.7
<b>Pan and Tilt</b>		
Smart tracking	Support	
Pan / Tilt Range	Pan: 360°endless;Tilt: -2° ~90° (Auto Flip )	
Pan / Tilt Speed	Pan Manual Speed: 0.1° ~160°/s, Pan Preset Speed: 160°/s Tilt Manual Speed: 0.1° ~120°/s, Tilt Preset Speed: 120°/s	
Proportional Zoom	Rotation speed can be adjusted automatically according to zoom multiples	
Number of Preset	256	
Patrol	8 patrols, up to 32 presets per patrol	
Pattern	4 patterns, with the total recording time not less than 10 minutes	
Power-off Memory	Support	
Park Action	Preset / Patrol / Pattern / Pan / Tilt / Auto / Random / Frame / Panorama scan	
PTZ Position Display	On / Off	
Password Protection	Support	
Preset Freezing	Support	
Zone Scanning/Display	Scanning within programmed zone, display zone title	
Camera Title	Programmable title display	
Compass	Support , the north can be set	
Scheduled Task	Preset / Patrol / Pattern / Pan / Tilt / Auto / Random / Frame / Panorama scan	
<b>Infrared</b>		
IR Range	Up to 120m	
IR irradiation angle	Automatically adjusted, depending on the zoom ratio	
<b>Alarm</b>		
Alarm Input	2 (7 alarm inputs optional)	
Alarm Output	2 relay outputs, alarm response actions configurable	
Alarm Action	Preset / Patrol / Pattern / Pan scan / Tilt scan / Random scan / Frame scan / Panorama scan / Relay output	
<b>Input/ Output</b>		
Video Output	1.0V[p-p] / 75Ω, PAL / NTSC composite, BNC	
<b>General</b>		
RS-485 Protocols	HIKVISION, Pelco-P, Pelco-D, self-adaptive	
Power	24 VAC Max.50W (IR On, Heater On); Max.35W(IR On, Heater Off); Max.15W(IR Off, Heater Off)	
Working Temperature	-30°C ~65°C (-22°F ~149°F)	
Humidity	90% or less	
Protection Level	IP66 standard TVS 4,000V lightning protection, surge protection and voltage transient protection	
Dimensions	Φ245 × 399mm (Φ9.65" × 15.71")	
Weight (approx.)	5.5kg(12.13lbs)	
Mount Option	Long-arm wall mount: DS-1614ZJ; Corner mount: DS-1633ZJ; Pole Mount: DS-1622ZJ; Power box mount:DS-1634ZJ	

#### Order models

DS-2AF7268-A: PAL, 24VAC, outdoor  
DS-2AF7268N-A: NTSC, 24VAC, outdoor

DS-2AF7264-A: PAL, 24VAC, outdoor  
DS-2AF7264N-A: NTSC, 24VAC, outdoor