

DS-2DP1636-D

PanoVu series 360° Panoramic Camera



Hikvision PanoVu series DS-2DP1636-D panoramic cameras are able to capture high quality 3D real-time panoramic images and support 3D operation. Users can select any monitoring angle by click the mouse, and adjust the monitoring angle by rotation, zoom in and zoom out.

With its various characteristics, PanoVu series cameras can be widely used in airports, stations, gymnasiums, scenic pots, and squares which need a wide range of monitoring.

- 1/1.9" Progressive Scan CMOS
- 360° view angle
- Up to 2 × 2400 × 3840@25fps
- Ultra-low illumination
- 3D Operation
- 36VDC power supply
- IP66



www.hikvision.com

Function Description

Panoramic Camera

- Eight 1/1.9" Progressive Scan CMOS, up to 2 × 2400 × 3840@25fps
- Horizontal angle of view: 360° , Vertical angle of view: 180°
- Min. Illumination: 0.004Lux@(F1.8,AGC ON)(Color), 0.0004Lux@(F1.8,AGC ON)(B/W)

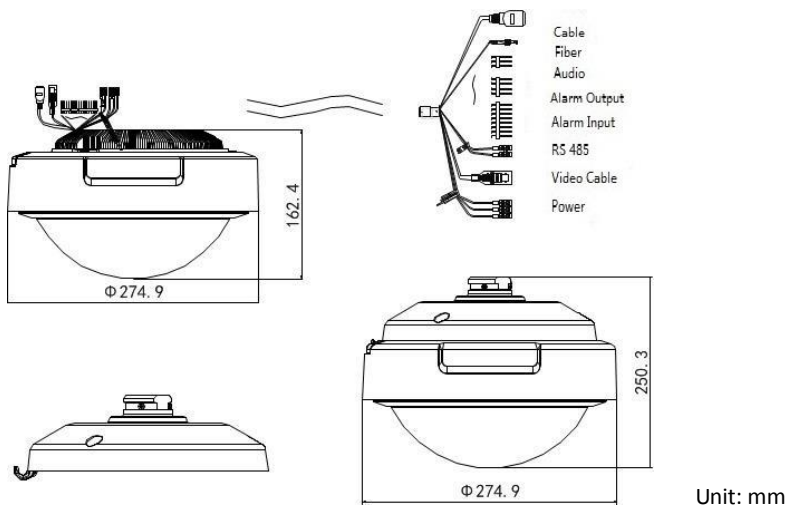
System function

- Support selecting any monitoring angle by clicking the mouse, and adjust the monitoring angle by rotation, zoom in and zoom out.
- Support quick operate in browser.
- Support HLC, BLC, 3D DNR.
- Support onboard storage, up to 128GB.
- 7 alarm input and 2 alarm output, 1 audio input and 1 audio output.
- Optional fiber cable and RJ-45 cable.
- Support IP66 standard.

Specifications

Panoramic Camera	
Image Sensor	1/1.9" Progressive Scan CMOS
Max. Image Resolution	2 × 2400 × 3840@25fps
Min. Illumination	Color: 0.004Lux @ (F1.8, AGC ON), B/W: 0.0004Lux @ (F1.8, AGC ON)
Lens	f4.0mm/ F1.8
Angle of View	Horizontal angle of view: 360° , Vertical angle of view: 180°
3D Operation	Support
Audio Exception Detection	Support
Main Stream	50Hz: 25fps 2×(2400×3840, 1792×2880, 1600×2560, 1200×1920) 60Hz: 25fps 2×(2400×3840, 1792×2880, 1600×2560, 1200×1920)
Sub Stream	50Hz: 25fps 2×(320×512, 480×720) 60Hz: 25fps 2×(320×512, 480×720)
Third Stream	50Hz: 25fps 2×(2400×3840, 1200×1920) 60Hz: 25fps 2×(2400×3840, 1200×1920)
Image Compression	H.264(Baseline, Main, High Profile)/MJPEG
Others	BLC, HLC, 3D DNR
Network	
Audio compression	G.711ulaw/G.711alaw/G.722/G.726/MP2L2/PCM
Protocols	IPv4/IPv6,HTTP,HTTPS,802.1x,Qos,FTP,SMTP,UPnP,SNMP,DNS,DDNS,NTP,RTSP,RTP,TCP,UDP,IGMP,ICMP, DHCP, PPPoE
Application programming	Open-ended API, ONVIF, ISAPI, PSIA
System Integration	
Menu	English
Scheduled Task	Support
Alarm I/O	7 alarm inputs (0-5v DC), 2 alarm output, Support alarm linkage
Alarm Action	Preset / Patrol / Pattern / SD card recording/ Aux output/ E-map on Client/ Send Email/ Upload to FTP
Audio I/O	1/1
Fiber Cable	1 10M/100M/1000M FC interface, TX1310 / RX1550nm wavelength, 20 km transmission distance
Ethernet	1 RJ45 100M/1000M Ethernet interface
RS485	Half duplex, HIKVISION, Pelco-P, Pelco-D, self-adaptive
Onboard Storage	Built-in Micro SD/SDHC /SDXC card slot, up to 128GB, manual/alarm recording
General	
Power	DC 36V, MAX. 110W (Heater: 44W)
Working Temperature/ Humidity	-40 °C – 65 °C, Humidity 90% or less
Protection Level	IP66 standard, TVS 6,000V lightning protection, surge protection and voltage transient protection
Dimensions(mm)	Φ 274.9 × 250.3
Weight	4.5kg
Mount Option	Wall mount: DS-1603ZJ; Long-arm Pendant mount: DS-1668ZJ (20); Pendant Mount: DS-1668ZJ

Dimensions



Unit: mm

Accessories



DS-1603ZJ

Wall Mounting Bracket



DS-1668ZJ

Pendant Mounting Bracket



DS-1668ZJ (20)

Long-arm Pendant Mounting Bracket



DS-1619ZJ

Gooseneck Mounting Bracket

0503151070309

CCTVIreland.ie

Find us on 

Find us on Facebook

We are Official HIKVision Partners

HIKVISION SILVER PARTNER