

DS-2CE16F1T-IT5 3MP EXIR Bullet Camera

3 Mega-Pixel Bullet with 80 metre IR NightVision



Key Features

- 3 Megapixel high-performance CMOS
- Analog HD output, up to 3MP resolution
- True Day/Night
- OSD menu, DNR, Smart IR
- EXIR technology, up to 80m IR distance
- IP66 weatherproof
- Up the Coax(HIKVISION-C)



www.hikvision.com

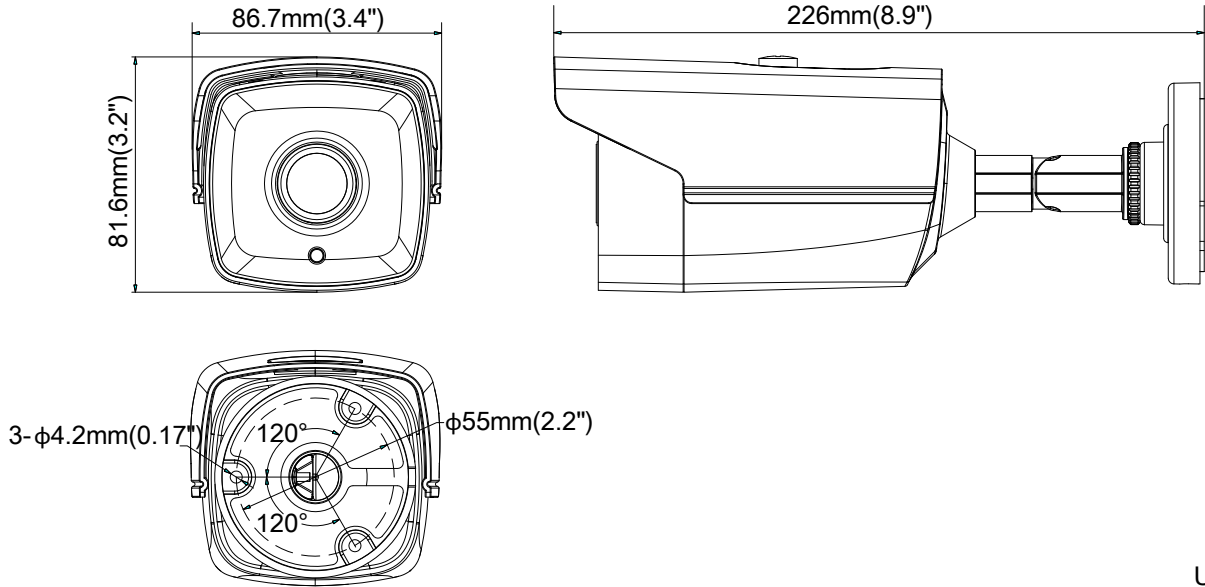
Specifications

Camera	
Image Sensor	3MP CMOS Image Sensor
Effective Pixels	2052(H)*1536(V)
Min. illumination	0.01 Lux @ (F1.2,AGC ON), 0 Lux with IR
Shutter Time	1/25(1/30)s to 1/50,000s
Lens	3.6mm, 6mm, 8mm, 12mm, 16mm optional
	Angle of View: 67.8°(3.6mm), 44.6°(6mm), 31.6°(8mm), 20.2°(12mm), 15.8°(16mm)
Lens Mount	M12
Day & Night	ICR
Angle Adjustment	Pan: 0° - 360°; Tilt:0° - 90°; Rotate: 0° - 360°
Synchronization	Internal Synchronization
Video Frame Rate	1920×1536@18fps
HD Video Output	1 Analog HD output
S/N Ratio	> 62dB
Menu	
AGC	Support
D/N Mode	Color/BW/SMART
White Balance	ATW/ MWB
BLC	Support
Functions	Digital noise reduction, Mirror, SMART IR
General	
Operating Conditions	-40 °C – 60 °C (-40 °F – 140 °F), Humidity 90% or less (non-condensing)
Power Supply	12 VDC ± 15%
Power Consumption	Max. 5W
Protection Level	IP66
IR Range	Up to 80m
Communication	Up the coax, Protocol: HIKVISION-C (TVI output)
Dimensions	86.7mm×81.6mm×226mm (3.41"×3.23"×8.67")
Weight	Approx. 680g (1.5lb)

Order Models

DS-2CE16F1T-IT5

Dimensions



Unit: mm

Accessories



DS-1280ZI-XS
Junction Box



DS-1H18
Video Balun



X41T
Camera Tester